



Parts List

Donut Fryer




Electric

Model #'s ADF20E, ADF26E, ADF24E, ADF34E

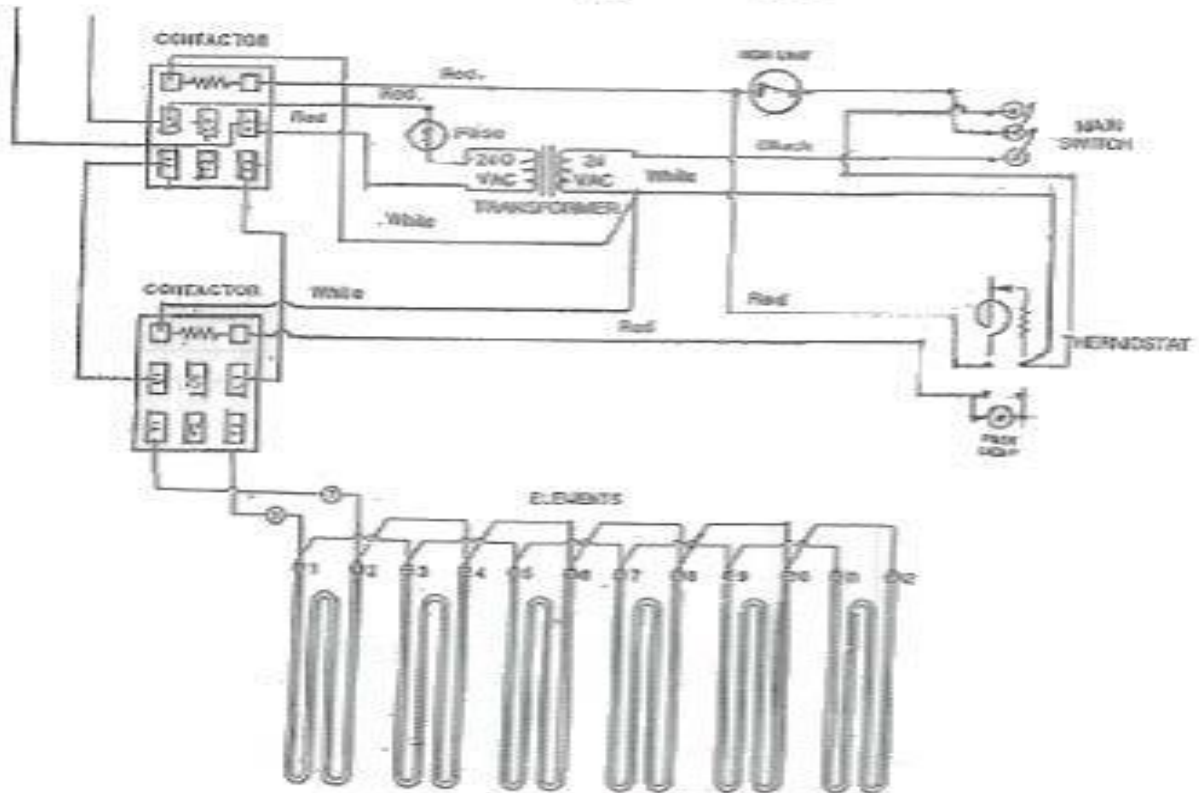
<i>Part Image</i>	<i>Part#</i>	<i>Description</i>	<i>List</i>
	AP1901	Replacement Kettle/Pot ADF20E	
	AP1902	Replacement Kettle/Pot ADF26E	
	AP1903	Replacement Kettle/Pot ADF24E	
	AP1904	Replacement Kettle/Pot ADF34E	
	AP1905	Contactora 40 Amp/Coil: 208/240 Volt	
	AP1906	Contactora 40 Amp/Coil: 24 Volt	
	AP1907	Contactora 50 Amp/Coil: 208/240 Volt	
	AP1908	Contactora 50 Amp/Coil: 24 Volt	
	AP1909	Thermostat 200-400 Degrees (Knob Not Included)	
	AP1910	Control Knob 200-400	
	AP1911	Temperature Control Knob	
	AP1912	Hi-Limit Control	

	AP1913	Transformer 24 Volt
	AP1914	Transformer 380 Volt/480 Volt
	AP1915	Heating Element 208 Volt
	AP1916	Heating Element 380 Volt
	AP1917	Heating Element 480 Volt
	AP1918	S/S T-Stat Control Box
	AP1919	On/Off Rocker Switch 24 Volt
	AP1920	On/Off Rocker Switch 120 Volt
	AP1921	Indicator Light (Yellow)
	AP1922	Indicator Bulb
	AP1923	Fuse Holder
	AP1924	Fuse
	AP1925	Drain Valve

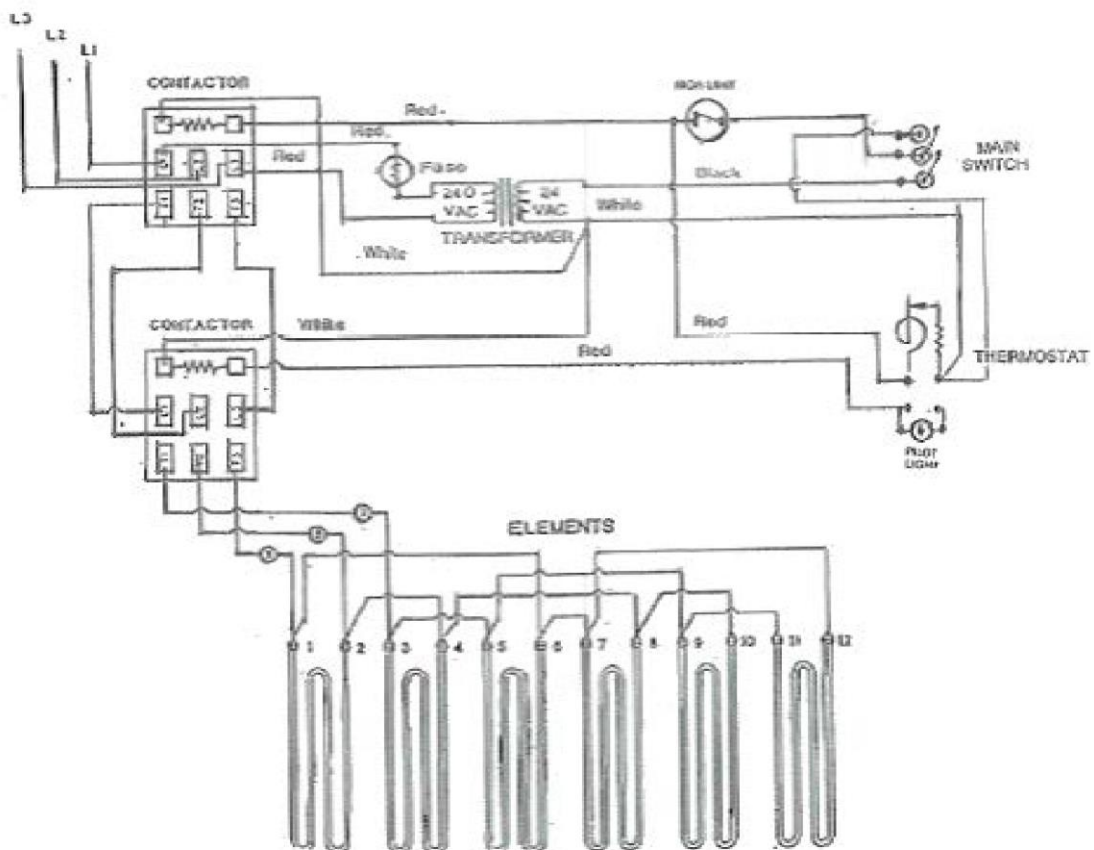
	AP1926	Drain Valve Arm
	AP1927	Hinged Drain Handle Guard
	AP1928	Snugger/Submerger Bracket
	AP1929	Capillary Bulb Mounting Brackets
	AP1930	Drain Tray Cover ADF20E
	AP1931	Drain Tray Cover ADF26E
	AP1932	Drain Tray Cover ADF24E
	AP1933	Drain Tray Cover ADF34E
	AP1934	3 Position Support Bracket (Pair)
	AP1935	Drain Tray/Cover Mounting Bracket (Pair)
	AP1936	Drain Tray Support Rod ADF20E
	AP1937	Drain Tray Support Rod ADF26E
	AP1938	Drain Tray Support Rod ADF24E
	AP1939	Drain Tray Support Rod ADF34E
	AP1940	Drain Tray/Cover Support Bracket (Pair)
	AP1941	Depositor Mounting Bracket
	AP1942	Magnetic Door Latch

	AP1943	Adjustable Flanged Foot (Round)
	AP1944	Adjustable Flanged Foot (Square)
	AP1945	Castors 5" Swivel Plate
	AP1946	Caster 5" W/Lock

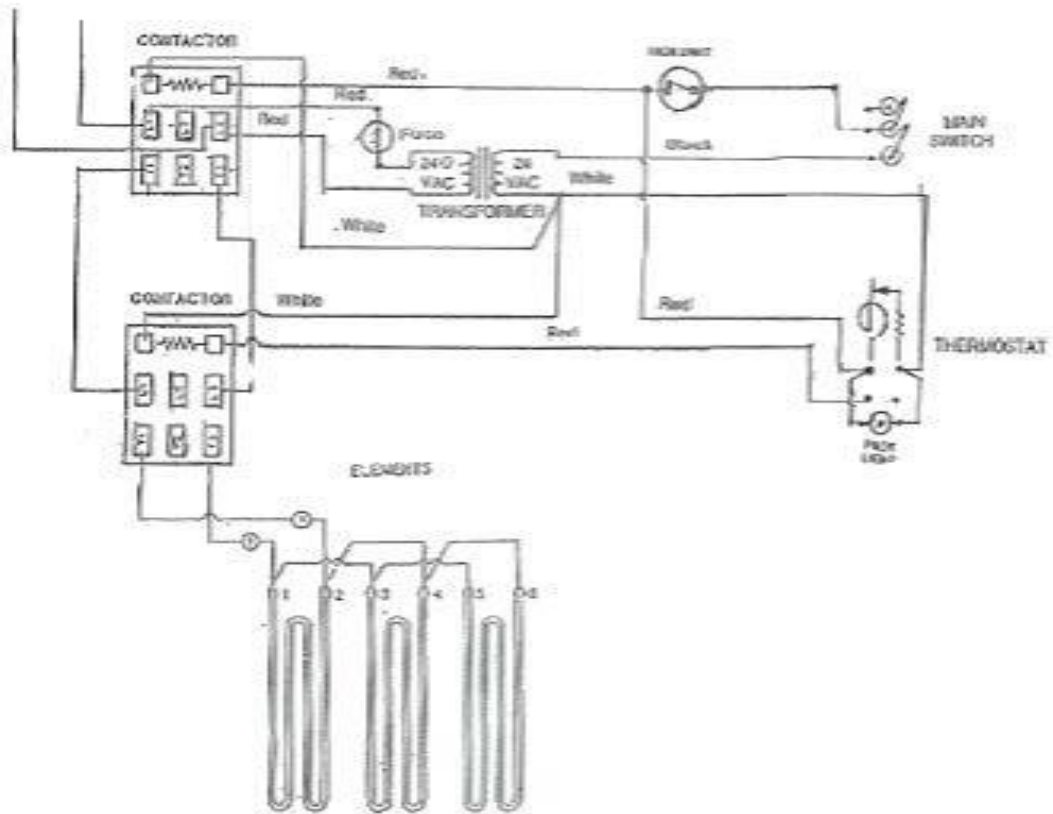
**Wiring Diagram For ADF24E
Single 1 - Phase**



**Wiring Diagram ADF24E
Three 3 - Phase**



**Wiring Diagram For ADF20E And ADF26E
Single 1 - Phase**



**Wiring Diagram For ADF20E And ADF26E
Three 3 - Phase**

