



Parts List

Donut Fryer

Electric

Model #'s ADF20E, ADF26E, ADF24E, ADF34E

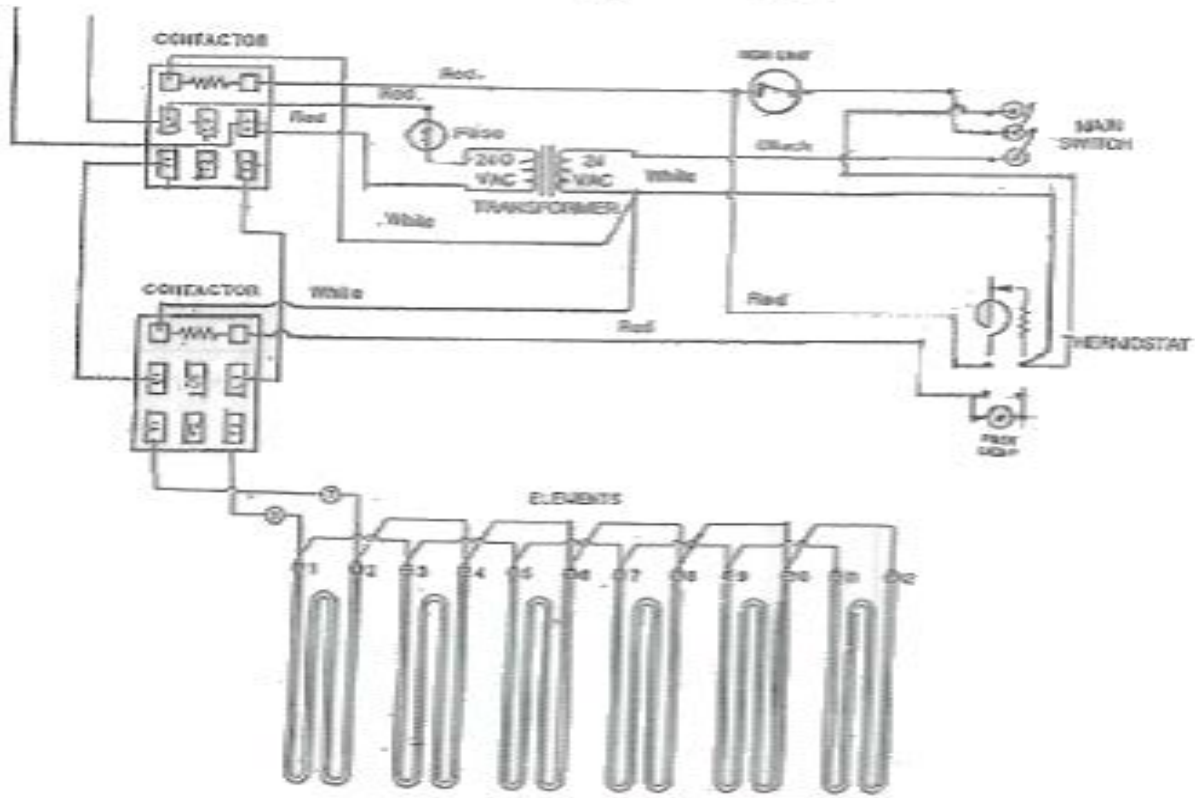
<i>Part Image</i>	<i>Part#</i>	<i>Description</i>	<i>List</i>
	AP1901	Replacement Kettle/Pot ADF20E	\$2,000
	AP1902	Replacement Kettle/Pot ADF26E	\$1,800
	AP1903	Replacement Kettle/Pot ADF24E	\$2,000
	AP1904	Replacement Kettle/Pot ADF34E	\$2,400
	AP1905	Contactora 40 Amp/Coil: 208/240 Volt	\$88
	AP1906	Contactora 40 Amp/Coil: 24 Volt	\$88
	AP1907	Contactora 50 Amp/Coil: 208/240 Volt	\$170
	AP1908	Contactora 50 Amp/Coil: 24 Volt	\$170
	AP1909	Thermostat 200-400 Degrees (Knob Not Included)	\$205
	AP1910	Control Knob 200-400	\$18
	AP1911	Temperature Control Knob	\$18
	AP1912	Hi-Limit Control	\$190
	AP1913	Transformer 24 Volt	\$90

	AP1914	Transformer 380 Volt/480 Volt	\$220
	AP1915	Heating Element 208 Volt	\$220
	AP1916	Heating Element 380 Volt	\$290
	AP1917	Heating Element 480 Volt	\$390
	AP1918	S/S T-Stat Control Box	\$140
	AP1919	On/Off Rocker Switch 24 Volt	\$40
	AP1920	On/Off Rocker Switch 120 Volt	\$38
	AP1921	Indicator Light (Yellow)	\$56
	AP1922	Indicator Bulb	\$11
	AP1923	Fuse Holder	\$60
	AP1924	Fuse	\$20
	AP1925	Drain Valve	\$98
	AP1926	Drain Valve Arm	\$90
	AP1927	Hinged Drain Handle Guard	\$89

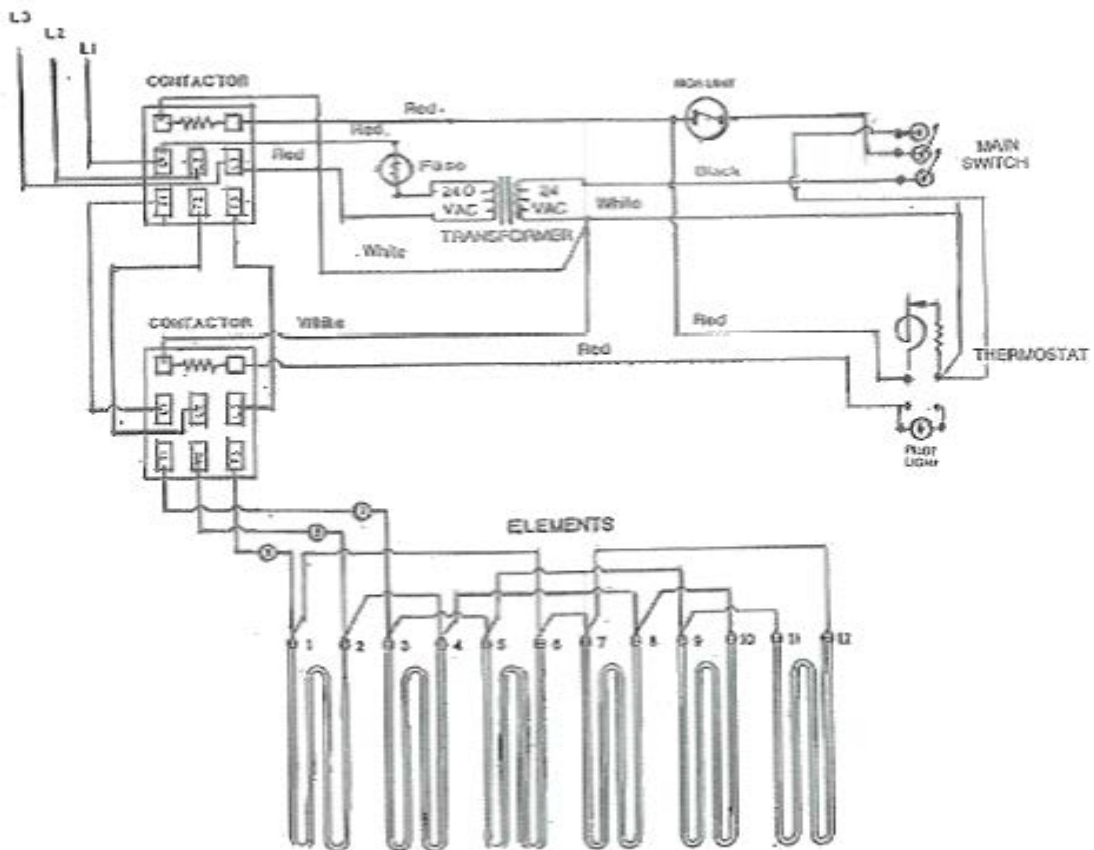
	AP1928	Snugger/Submerger Bracket	\$40
	AP1929	Capillary Bulb Mounting Brackets	\$166
	AP1930	Drain Tray Cover ADF20E	\$240
	AP1931	Drain Tray Cover ADF26E	\$240
	AP1932	Drain Tray Cover ADF24E	\$240
	AP1933	Drain Tray Cover ADF34E	\$310
	AP1934	3 Position Support Bracket (Pair)	\$38
	AP1935	Drain Tray/Cover Mounting Bracket (Pair)	\$180
	AP1936	Drain Tray Support Rod ADF20E	\$106
	AP1937	Drain Tray Support Rod ADF26E	\$106
	AP1938	Drain Tray Support Rod ADF24E	\$112
	AP1939	Drain Tray Support Rod ADF34E	\$144
	AP1940	Drain Tray/Cover Support Bracket (Pair)	\$88
	AP1941	Depositor Mounting Bracket	\$166
	AP1942	Magnetic Door Latch	\$18
	AP1943	Adjustable Flanged Foot (Round)	\$33
	AP1944	Adjustable Flanged Foot (Square)	\$33
	AP1945	Castors 5" Swivel Plate	\$100
	AP1946	Caster 5" W/Lock	\$120

Wiring Diagram

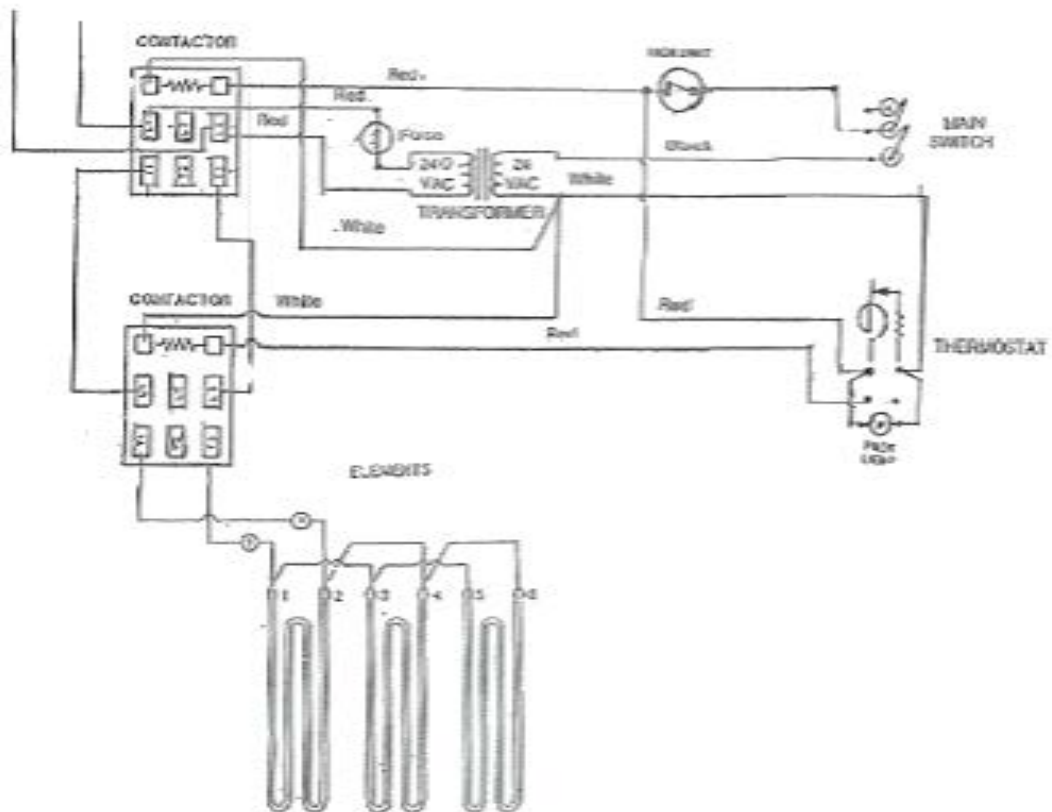
Wiring Diagram For ADF24E Single 1 - Phase



Wiring Diagram ADF24E Three 3 - Phase



**Wiring Diagram For ADF20E And ADF26E
Single 1 - Phase**



**Wiring Diagram For ADF20E And ADF26E
Three 3 - Phase**

